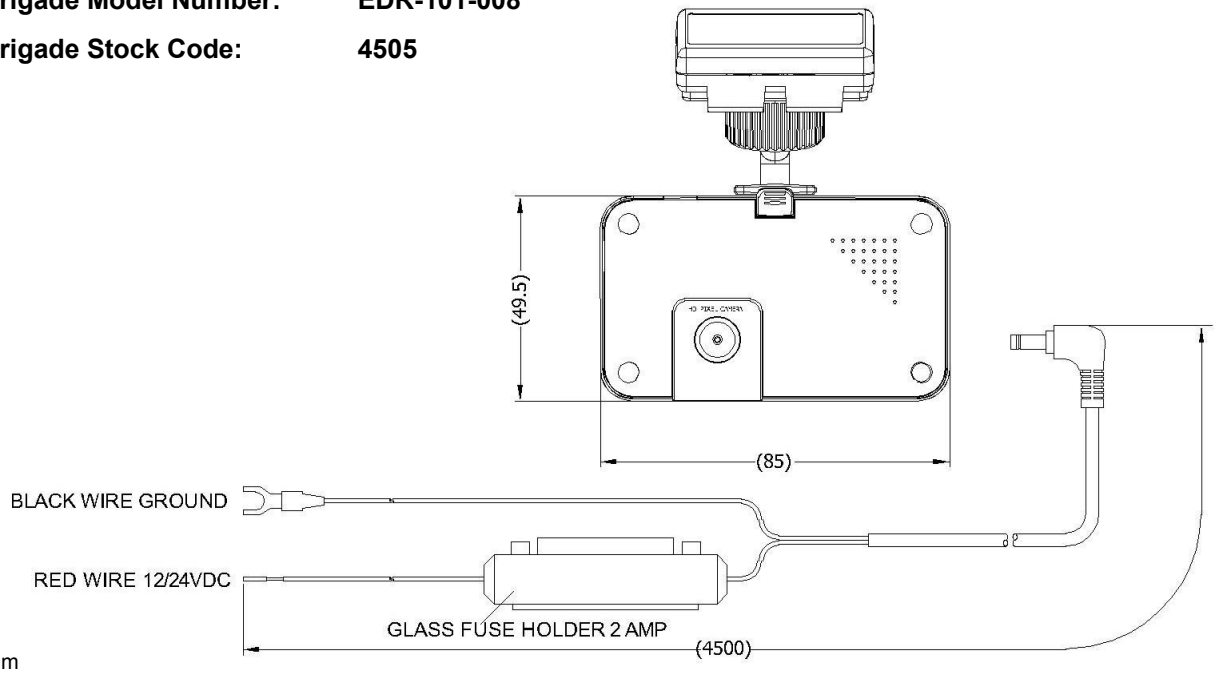


Product Specification

Brigade Model Number: EDR-101-008

Brigade Stock Code: 4505



Dimensions: mm

Product Specification

Environmental Specifications:

- Shock Rating: TBC
 - Vibration Rating: 2.5G
 - IP Rating: none
 - Operating Temperature: -10° to +60°C
 - Storage Temperature: -20° to +70°C
- (not to industry recognised standard or test house)

Approved Standards:

- CE self DofC
- WEEE

Technical Specifications:

- Operating Voltage: 12~24 Vdc
- Max Current Consumption: ≤ 1060mA @12 Vdc
- Max Power Consumption: ≤12.72 Watts @ 12Vdc
- Typical current consumption (no Aux cam): 260mA @12v
- Viewing angle: H94 x V 52 x D 112 ± 5%
- Max Resolution of forward cam: 1280x720P
- Max Frame rate of forward (no aux cam): 30fps
- Max Frame rate with aux cam: 17fps front, 13fps aux
- Max Resolution of aux cam: 640x480P
- Minimum lux: 1 lux
- Video compression: MPEG4 H.264
- Number of Aux Video Inputs: 1 Camera
- Shutter Function: None
- Tilt Function : None
- Video Input: 1.0 Vp-p / 75Ω NTSC
- Video Output: 1.0 Vp-p / 75Ω NTSC

Technical Specifications Continued...

- Power Cable Thickness: 26 AWG
- Length Power Cable: 4500mm
- Overall Dimensions (Recorder Only): 85mm (W) x 25.5mm (D) x 49.5mm (H)
- Recorder only Weight: Approx. 60g
- System Weight: Approx 320g
- Casing Material: PC
- Colour: Black/Silver

Features:

- HD recording
- Built in G sensor
- System status LEDs
- Supports up to 32 GB Micro SD card class 6
- Supports auxiliary 2nd camera

Package Contents:

- 1x Recorder
- 1x GPS Antenna
- 1 x power cable
- 1x Mounting Bracket & adhesive pad
- 1x 8GB Micro SD card
- 1x Micro SD to SD adaptor
- 1x Software CD
- 1x user manual

